

JOINT PUBLIC NOTICE

November 13, 2018

United States Army
Corps of Engineers
New Orleans District
Regulatory Branch
7400 Leake Avenue
New Orleans, Louisiana 70118

State of Louisiana
Department of Environmental Quality
ATTN: Water Quality Certifications
Post Office Box 4313
Baton Rouge, Louisiana 70821-4313

(504) 862-2041

Benjamin.C.Sherman@usace.army.mil

Project Manager
Benjamin Sherman
Permit Application Number
MVN 2014-01527-ES

(225) 219-3225

Project Manager
Elizabeth Hill
WQC Application Number
WQC 181105-01

Interested parties are hereby notified that a permit application has been received by the New Orleans District of the U.S. Army Corps of Engineers pursuant to: [X] Section 10 of the Rivers and Harbors Act of March 3, 1899 (30 Stat. 1151; 33 USC 403); and/or [X] Section 404 of the Clean Water Act (86 Stat. 816; 33 USC 1344).

Application has also been made to the Louisiana Department of Environmental Quality, Water Quality Certifications, for a Water Quality Certification (WQC) in accordance with statutory authority contained in LRS30:2047 A(3), and provisions of Section 401 of the Clean Water Act (P.L.95-17).

Time Extension to Barge Fleeting Operation Within The Mississippi River in St. John the Baptist Parish

NAME OF APPLICANT: Wood Resources, LLC. c/o Gulf South Engineering & Testing, Attn: Chad Poche, 2201 Aberdeen Street Suite B Kenner, LA 70062

LOCATION OF WORK: Project site is located on the right descending bank of the Mississippi River, at Mile Marker 135 above Head of Passes, Burnside, Louisiana, in St. John the Baptist Parish, as shown on the attached drawings.

Latitude: 30.047222/Longitude: -90.511278 Hydrologic Unit Codes: 08070100 Lower Mississippi-Baton Rouge.

CHARACTER OF WORK: Time extension for a project that will involve installing and maintaining a barge fleeting operation with associated mooring structures. No additional impacts to jurisdictional wetlands are anticipated, as such, no compensatory mitigation has been proposed.

The comment period for the Department of the Army Permit and the Louisiana Department of Environmental Quality WQC will close **30 days** from the date of this joint public notice. Written comments, including suggestions for modifications or objections to the proposed work, stating reasons thereof, are being solicited from anyone having interest in this permit and/or this WQC request and must be mailed so as to be received before or by the last day of the comment period. Letters concerning the Corps of Engineers permit application must reference the applicant's name

and the Permit Application Number, and be mailed to the Corps of Engineers at the address above, ATTENTION: REGULATORY BRANCH. Similar letters concerning the Water Quality Certification must reference the applicant's name and the WQC Application number and be mailed to the Louisiana Department of Environmental Quality at the address above. The application for this proposed project is on file with the Louisiana Department of Environmental Quality and may be examined during weekdays between 8:00 a.m. and 4:30 p.m. Copies may be obtained upon payment of costs of reproduction.

Corps of Engineers Permit Criteria

The decision whether to issue a permit will be based on an evaluation of the probable impacts, including cumulative impacts of the proposed activity on the public interest. That decision will reflect the national concern for both protection and utilization of important resources. The benefit which reasonably may be expected to accrue from the proposal must be balanced against its reasonably foreseeable detriments. All factors which may be relevant to the proposal will be considered including the cumulative effects thereof; among those are conservation, economics, aesthetics, general environmental concerns, wetlands, historic properties, fish and wildlife values, flood hazards, floodplain values, land use, navigation, shoreline erosion and accretion, recreation, water supply and conservation, water quality, energy needs, safety, food and fiber production, mineral needs, considerations of property ownership and, in general, the needs and welfare of the people.

The U.S. Army Corps of Engineers is soliciting comments from the public, federal, state, and local agencies and officials, Indian Tribes, and other interested parties in order to consider and evaluate the impacts of this proposed activity. Any comments received will be considered by the U.S. Army Corps of Engineers to determine whether to make, modify, condition, or deny a permit for this proposal. To make this decision, comments are used to assess impacts on endangered species, historic properties, water quality, general environmental effects, and other public interest factors listed above. Comments are used in the preparation of an Environmental Assessment and/or an Environmental Impact Statement pursuant to the National Environmental Policy Act. Comments are also used to determine the need for a public hearing and to determine the overall public interest of the proposed activity.

The New Orleans District is unaware of properties listed on the National Register of Historic Places near the proposed work. The possibility exists that the proposed work may damage or destroy presently unknown archeological, scientific, prehistorical, historical sites, or data. Issuance of this public notice solicits input from the State Archeologist and State Historic Preservation Officer regarding potential impacts to cultural resources.

Our initial finding is that the proposed work would neither affect any species listed as endangered by the U.S. Department of Commerce, nor affect any habitat designated as critical to the survival and recovery of those species.

The New Orleans District has determined that the proposed project will not affect any endangered species based on the Standard Local Operating Procedure for Endangered Species of Louisiana (SLOPES), dated October 22, 2014, between the U.S. Army Corps of Engineers and U.S. Fish and Wildlife Service, Ecological Services Office.

This notice initiates the Essential Fish Habitat (EFH) consultation requirements of the Magnuson-Stevens Fishery Conservation and Management Act. The applicant's proposal would result in the destruction or alteration of **0.0** acres of EFH utilized by various life stages of red drum and penaeid shrimp. Our initial determination is that the proposed action would not have a substantial adverse impact on EFH or federally managed fisheries in the Gulf of Mexico. Our final determination relative to project impacts and the need for mitigation measures is subject to review by and coordination with the National Marine Fisheries Service.

If the proposed work involves deposits of dredged or fill material into navigable waters, the evaluation of the probable impacts will include the application of guidelines established by the Administrator of the Environmental Protection Agency. Also, a certification that the proposed activity will not violate applicable water quality standards will be required from the Department of Environmental Quality, Water Quality Certifications, before a permit is issued.

Any person may request, in writing, within the comment period specified in this notice, that a public hearing be held to consider this application. Requests for public hearings shall state, with particularity, the reasons for holding a public hearing.

The applicant has certified that the proposed activity described in the application complies with and will be conducted in a manner that is consistent with the Louisiana Coastal Resources Program. The Department of the Army permit will not be issued unless the applicant received approval or a waiver of the Coastal Use Permit by the Department of Natural Resources.

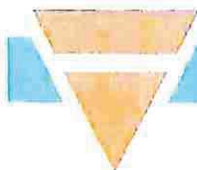
You are requested to communicate the information contained in this notice to any other parties whom you deem likely to have interest in the matter.

Michael V. Farabee
Chief, Eastern Evaluation Section

Enclosure



Date: 04/04/2014

<p>Gulf South File 14-504</p>	 <p>GULF SOUTH ENGINEERING AND TESTING, INC. Geotechnical & Materials Consultants</p>	
<p>St. James Sand Co. Barge Fleeting & Mooring Lucy Fleet, MP 135 Lucy, LA</p>	<p>For St. James Sand Co. Kenner, LA</p>	<p>Vicinity Map Figure 1</p>



Gulf South File 14-504
 (Date: 9/8/15)

St. James Sand Co.
Barge Fleeting & Mooring
Lucy Fleet
M.R., RDB, MP 135
Lucy, LA

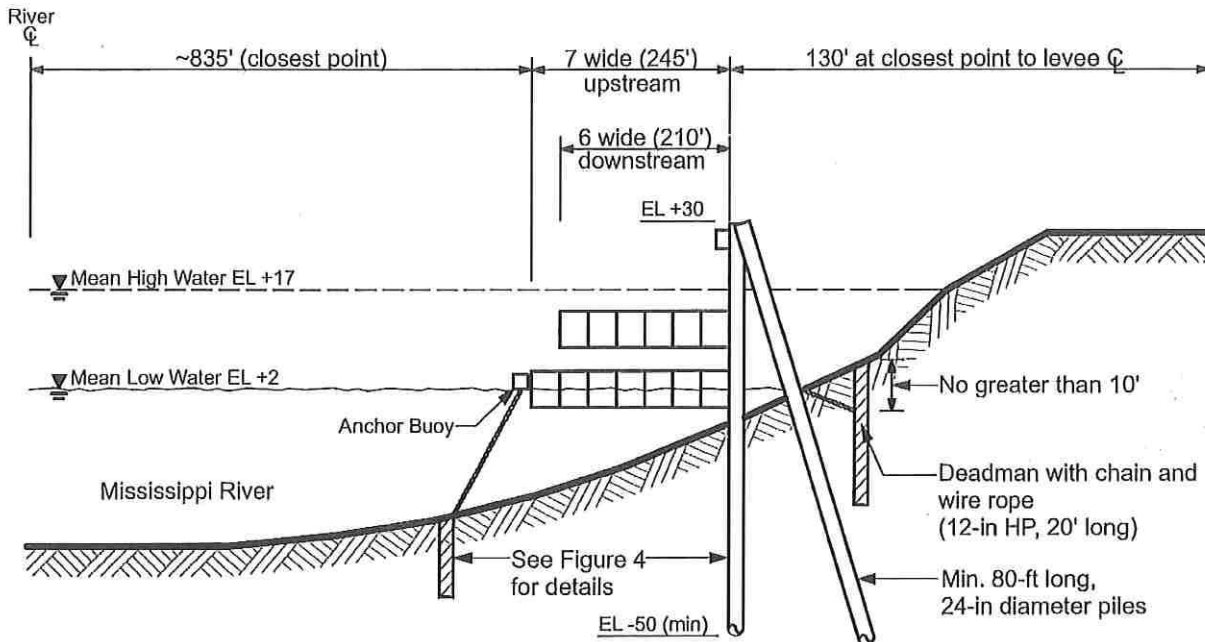


For
St. James Sand Co.
Kenner, LA

Site Plan

Figure No. 2

CROSS SECTION:



Gulf South File 14-504
(Date: 6/16/15)



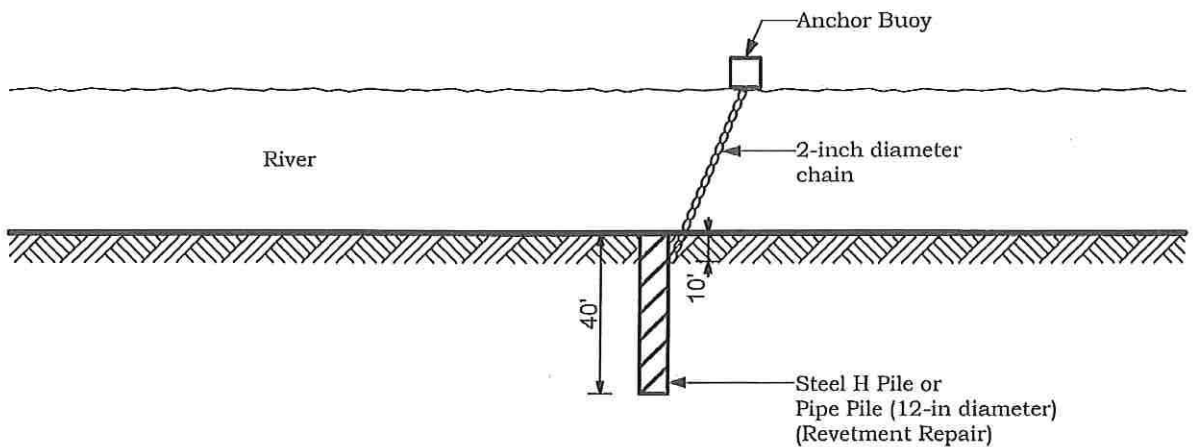
St. James Sand Co.
Barge Fleeting & Mooring
Lucy Fleet
M.R., RDB, MP 135
Lucy, LA

For
St. James Sand Co.
Kenner, LA

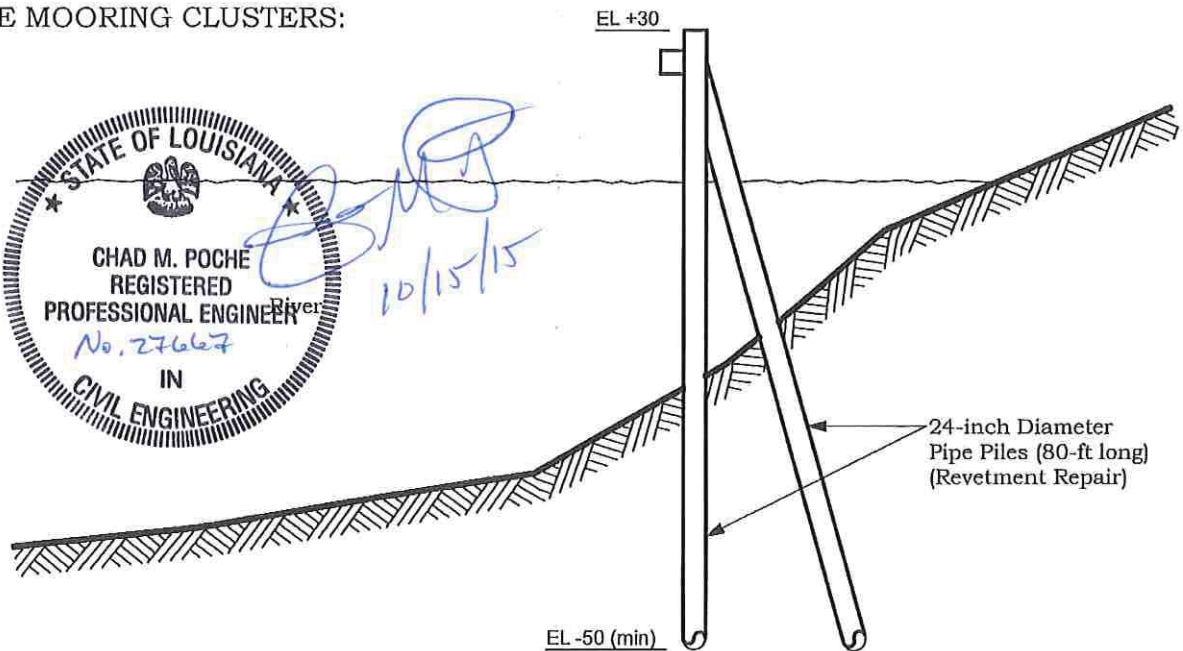
Cross Section A'-A

Figure No. 3

ANCHOR BUOYS:



3-PILE MOORING CLUSTERS:



Gulf South File 14-504
(Date: 10/27/14)

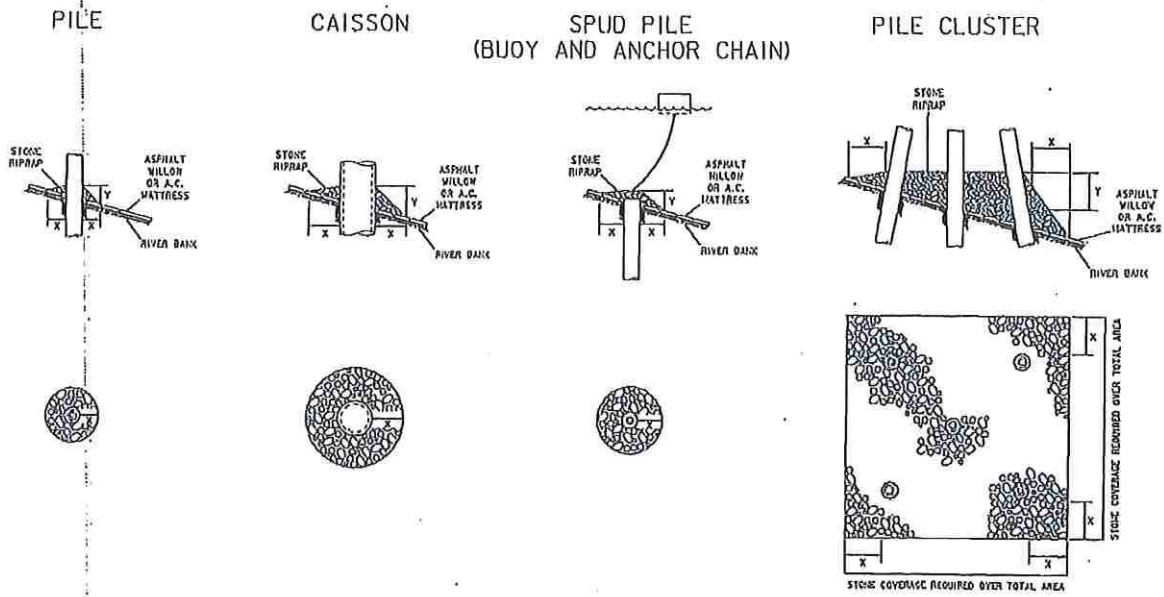
St. James Sand Co.
Barge Fleeting & Mooring
Lucy Fleet
M.R., LDB, MP 135
Lucy, LA



For
St. James Sand Co.
Kenner, LA

Anchoring System Details

Figure No. 4



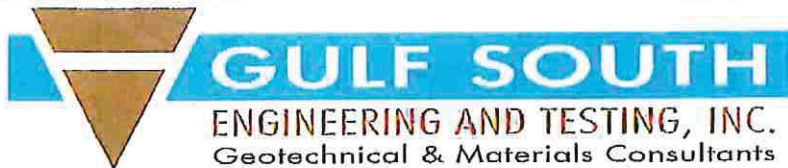
DEPTH OF WATER IN FEET AT POINT OF PENETRATION AT TIME OF STONE PLACEMENT	DIMENSIONS IN FEET FOR PROTECTION AREA REQUIRED							
	PILE		CAISSON		SPUD PILE (BUOY AND ANCHOR CHAIN)		PILE CLUSTER	
	X	Y	X	Y	X	Y	X	Y
1' - 10'	3	1.5	5	2			3	1
11' - 40'	5	2	8	3	7	3	6	2
41' - 60'	8	3	12	4	12	4	10	3

NOTES:

1. SIZE OF RIPRAP TO VARY BETWEEN 6 POUNDS AND 125 POUNDS WITH 40 PERCENT TO 60 PERCENT OF THE STONE WITHIN THE RANGE OF 25 POUNDS TO 75 POUNDS.
2. WHEN PENETRATING THE UPPER BANK PAVING IN A REVETMENT AREA WITH PILES, CAISSONS AND/OR PILE CLUSTERS, A 10 INCH THICK RIPRAP STONE LAYER SHALL BE PLACED OVER ALL AREAS WHERE THE BANK PAVING IS DISTURBED BY DRIVING OPERATIONS.
3. WHEN USING AN ANCHOR CHAIN AND BUOY SYSTEM, THE ANCHOR CHAIN MUST BE ATTACHED AT THE TOP OF THE PILE TO MINIMIZE REVETMENT DAMAGE.

Date: 08/14/2014

Gulf South File
14-504



St. James Sand Co.
Barge Fleeting &
Mooring
Lucy Fleet, MP 135
Lucy, LA

For
St. James Sand Co.
Kenner, LA

Revetment Repair
Details

Figure 5